



LED 5W G23 BASE 5W-7W-9W PL REPLACEMENT



These energy-saving LED lamps are quick, easy and safe to install into existing CFL fixtures without any extra effort or re-wiring.



- Hybrid Installation, Direct or Bypass
- Magnetic Ballast Compatible
- Available in 2700K
- 2-Pin G23 Base
- UL Approved for Damp Locations
- UL Approved for Use in Enclosed Fixtures
- 5 Year Warranty

Enclosed Fixtures	Horizontal Mounted	Shatterproof	Damp Location	Bypass
G23 Base	Vertical Mounted	50,000 HRS	Instant On	Magnetic Ballast Compatible



Installation Instructions with Direct Ballast:

Figure 1. Retrofit with One Lamp (G23 Base)

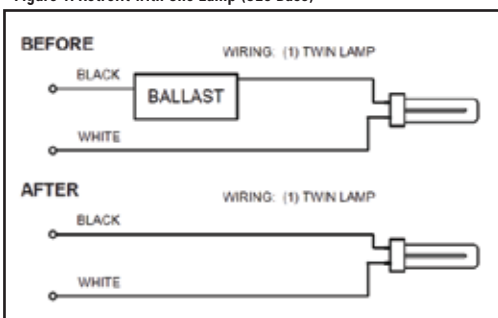
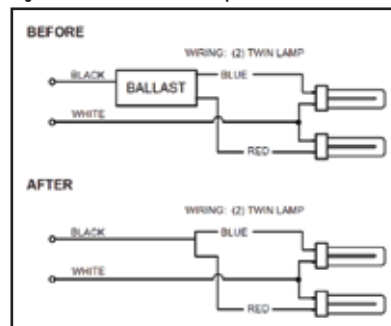


Figure 2. Retrofit with Two Lamps (G23 Base)





LED 5W G23 BASE 5W-7W-9W PL REPLACEMENT

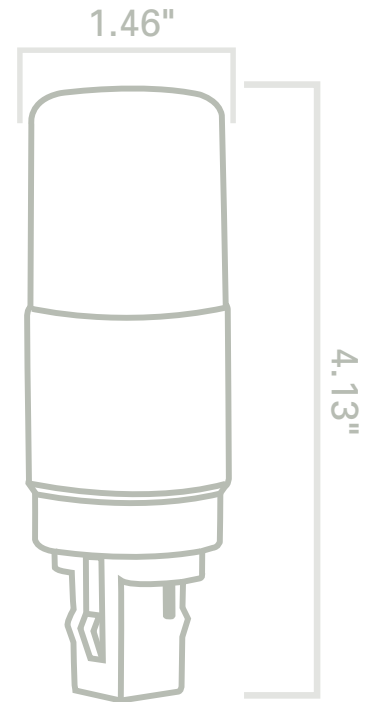
Commercial



Hospitality



Retail



SPECIFICATIONS

40197
5W/LED/PLS/G23/27K

40204
5W/LED/PLS/G23/40K

	40197 5W/LED/PLS/G23/27K	40204 5W/LED/PLS/G23/40K
Type	LED PL REPLACEMENT	LED PL REPLACEMENT
Mount	Horizontal / Vertical	Horizontal / Vertical
Base	2-PIN G23	2-PIN G23
Wattage	5W	5W
CFL Equivalence	5W, 7W, 9W	5W, 7W, 9W
Voltage - Frequency	120V-277VAC	120V-277VAC
Color Temperature (ANSI)	2700K	4000K
Lumens	520	520
Efficacy (LPW)	104	104
CRI	80	80
Beam Angle	260°	260°
Dimmable	NO	NO
Rated Lifetime (hrs.)	50,000	50,000
Dia. x MOL	1.46" x 4.13"	1.46" x 4.13"
Warranty	5 Years	5 Years