



LED 5W GX23 BASE 9W-13W PL REPLACEMENT



These energy-saving LED lamps are quick, easy and safe to install into existing CFL fixtures without any extra effort or re-wiring.



- Hybrid Installation, Direct or Bypass
- Magnetic Ballast Compatible
- Available in 2700K, 3000K, 3500K, 4000K
- 2-Pin GX23 Base
- UL Approved for Damp Locations
- UL Approved for use in Enclosed Fixtures
- 5 Year Warranty

Enclosed Fixtures	Horizontal Mounted	Shatterproof	Damp Location	Bypass
GX23 Base	Vertical Mounted	50,000 HRS	Instant On	Magnetic Ballast Compatible



Installation Instructions with Direct Ballast:

Figure 1. Retrofit with One Lamp (GX23 Base)

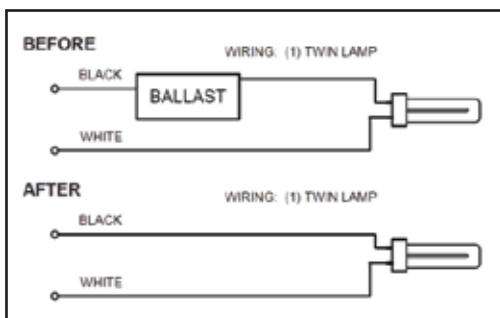
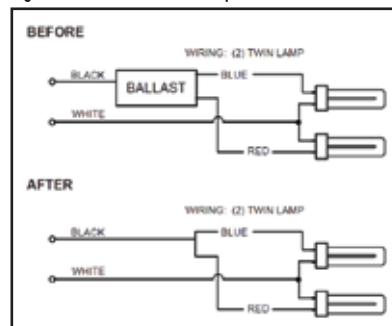


Figure 2. Retrofit with Two Lamps (GX23 Base)





LED 5W GX23 BASE 9W-13W PL REPLACEMENT

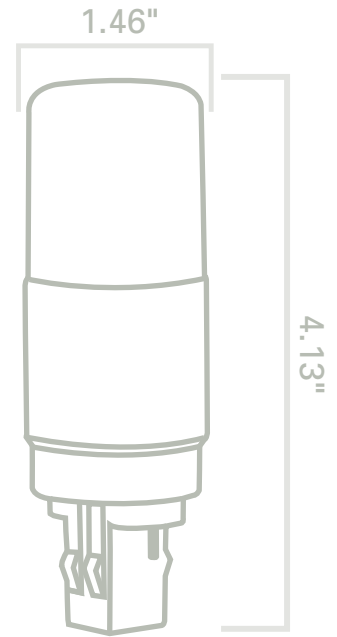
Commercial



Hospitality



Retail



SPECIFICATIONS	40201 5W/LED/PLC/GX23/27K	40111 5W/LED/PLC/GX23/30K	40200 5W/LED/PLC/GX23/35K	40138 5W/LED/PLC/GX23/40K
Type	LED PL REPLACEMENT	LED PL REPLACEMENT	LED PL REPLACEMENT	LED PL REPLACEMENT
Mount	Horizontal / Vertical	Horizontal / Vertical	Horizontal / Vertical	Horizontal / Vertical
Base	GX23	GX23	GX23	GX23
Wattage	5W	5W	5W	5W
CFL Equivalence	9W & 13W	9W & 13W	9W & 13W	9W & 13W
Voltage - Frequency	120V-277VAC	120V-277VAC	120V-277VAC	120V-277VAC
Color Temperature (ANSI)	2700K	3000K	3500K	4000K
Lumens	520	520	520	520
Efficacy (LPW)	104	104	104	104
CRI	80	80	80	80
Beam Angle	260°	260°	260°	260°
Dimmable	NO	NO	NO	NO
Rated Lifetime (hrs.)	50,000	50,000	50,000	50,000
Dia. x MOL	1.46" x 4.13"	1.46" x 4.13"	1.46" x 4.13"	1.46" x 4.13"
Warranty	5 Years	5 Years	5 Years	5 Years