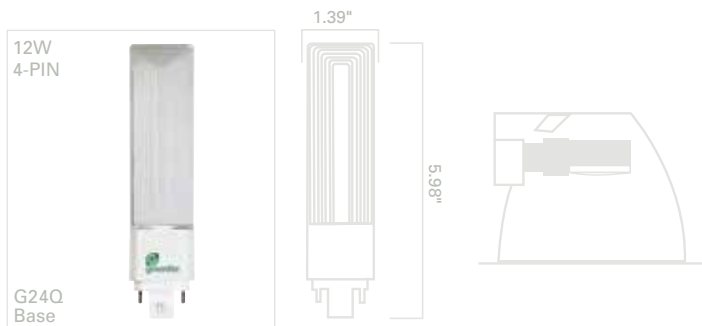
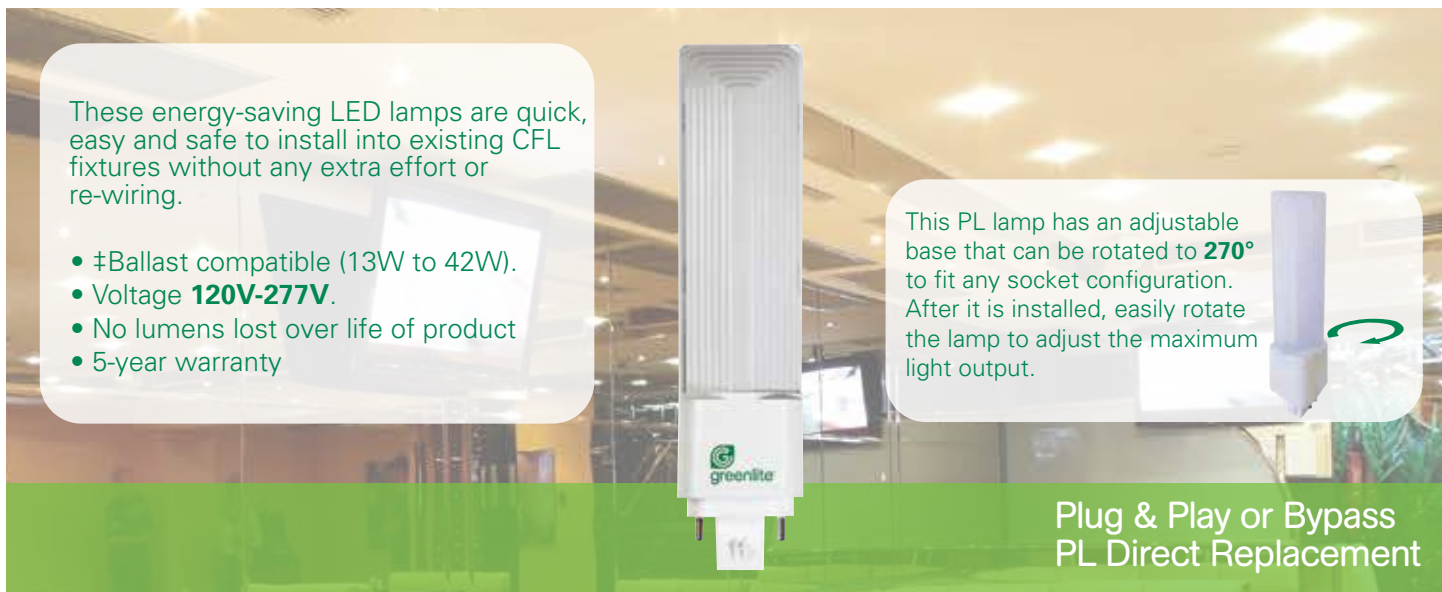




12W G24Q LED Commercial Bulbs



- 13W to 42W G24Q Base Replacement Using Only 12W.
- Installs in seconds
- CFL bulbs in downlights, sconces and other fixtures with 4-PIN G24Q.



UPC	Description	Lumens	Life (Hours)	CFL PLC Replacement	Beam Angle	M.O.L.	CCT	CRI	LDL
40167	12W LED 4-PIN G24Q Base 120V-277V	1150	50,000	13W, 18W, 26W	180°	6.77"	3500K	80	
40163	12W LED 4-PIN G24Q Base 120V-277V	1150	50,000	13W, 18W, 26W	180°	6.77"	4000K	80	✓

‡ For use with 13W, 18W, 26W, 32W and 42W electric ballast.

Certifications LM-80, TM-21, IES.

•The lumen performance may vary depending on the type of ballast available, number of lamps and type of fixture.

*Above data may be subject to change.

***Not intended to be used in enclosed fixtures.

**Not for use where directly exposed to weather or water.

