



LED 9W G24Q BASE 18W PL REPLACEMENT



This PL lamp has an adjustable base that can be rotated to 180° to fit any socket configuration. After it is installed, easily rotate the lamp to adjust the maximum light output.



- Easy to install - Plug & Play Direct
- Electronic Ballast Compatible
- 4-Pin G24Q Base
- UL approved for Damp Locations
- 5 Year Warranty

180° Adjustable Base	Horizontal Mounted	Shatterproof	Damp Location	Direct
G24Q Base	Vertical Mounted	50,000 HRS	Instant On	Electronic Ballast Compatible



Installation Instructions with Direct Ballast:

Figure 1. Retrofit with One Lamp (G24Q Base)

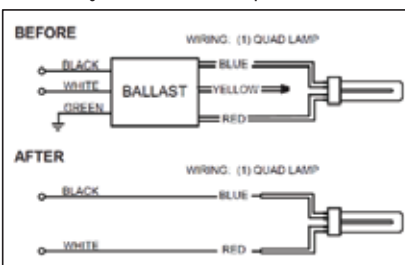
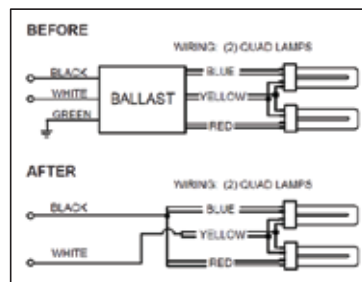


Figure 2. Retrofit with Two Lamps (G24Q Base)





LED 9W G24Q BASE 18W PL REPLACEMENT

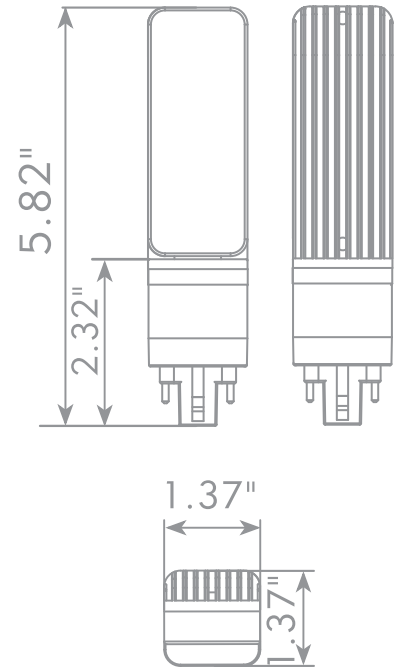
Commercial



Hospitality



Retail



SPECIFICATIONS

40149
9W/LED/PLC/G24Q/40K

Type	LED PL REPLACEMENT
Mount	Horizontal
Base	G24Q - BALLAST COMPATIBLE ONLY
Wattage	9W
CFL Equivalence	18
Voltage - Frequency	120V
Color Temperature (ANSI)	Cool White 4000K
Lumens	950
Efficacy (LPW)	105
CRI	80
Beam Angle	140°
Dimmable	NO
Rated Lifetime (hrs.)	50,000
Dia. x MOL	1.37" x 5.82"
Warranty	5 Years



Electronic Compatible Ballast List

√ - Compatible
× - Not Compatible

4 PIN PL LED G24Q BASE 9W/LED/PLC/G24Q/40k

Ballast Description			Compatibility Test Result			
Electrical Characteristic			1-Lamp		2-Lamp	
Brand	Model	Volt	120 VAC	277 VAC	120 VAC	277 VAC
LUMA PRO	16X954	120-277V	√	×	√	√
LUMA PRO	4KGJ7	120-277V	√	√	√	√
LUMA PRO	4KGJ8	120-277V	√	√	√	√
LUMA PRO	16X959	120-277V	×	×	√	√
Universal/Triad	C213UNVME	120-277V	√	√	√	√
Universal/Triad	C218UNVME	120-277V	√	√	√	√
Universal/Triad	C242UNVME	120-277V	√	×	√	√
Universal/Triad	C2642UNVME	120-277V	√	√	√	√
HOWARD INDUSTRIES	EP2/13CF/MV	120-277V	√	√	√	√
HOWARD INDUSTRIES	EP2/18CF/MV	120-277V	√	√	√	√
HOWARD INDUSTRIES	EP/2/26CF/MV/2	120-277V	√	√	√	√
GE	GEC218MVPSBES	120-277V	√	√	√	√
PHILIPS/ADVANCE	ICF-2S18-H1-LD	120-277V	√	√	√	√
PHILIPS/ADVANCE	ICF-2S26-H1-LD	120-277V	√	√	√	√
PHILIPS/ADVANCE	ICF-2S42-M2-LD	120-277V	√	×	√	√
PHILIPS/ADVANCE	ICF-2S13-H1-LD	120-277V	√	√	√	√
ORSRAM/SYLVANIA	QTP1/2X18CF/UNVDM	120-277V	√	√	√	√
ORSRAM/SYLVANIA	QTP2X26CF/UNVDM	120-277V	√	√	√	√
ORSRAM/SYLVANIA	QTP1/2X13CF/UNVDM	120-277V	√	√	√	√
HATCH	HC226PS/UV/D	120-277V	√	√	√	√
CH	ACT2S26PSUNV	120-277V	√	√	√	√
STANDARD	31279STD	120-347V	√	√	√	√
STANDARD	31527STD	120-347V	×	√	×	√
KEYSTONE	KTEB-213-UV-PS-DW	120-277V	√	√	√	√
KEYSTONE	KTEB-218-UV-PS-DW	120-277V	√	√	√	√
KEYSTONE	KTEB-226-UV-PS-DW	120-277V	√	√	√	√
KEYSTONE	KTEB-218-UV-RS-DW	120-277V	√	√	√	√
FULHAM	RHAUNV226C	120-277V	×	×	√	√
FULHAM	WH2120L	120-277V	√	×	√	×
FULHAM	WH2120C	120-277V	√	×	√	×
FULHAM	RHAUNV213C	120-277V	×	×	√	√
FULHAM	RHA-UNV-218-C	120-277V	×	×	√	√
FULHAM	WH3-120-C	120-277V	√	×	√	×
FULHAM	WH3-277-L	120-277V	×	√	×	√
FULHAM	WH4-277-L	120-277V	×	√	×	√
FULHAM	RHA-UNV-242-C	120-277V	×	×	√	√

Due to our continued efforts to improve our products, product specifications are subject to change without notice.

WARNING: Manufacturer of LED PL G24Q Lamps have a limitation of compatibility, not compatible with ALL ballasts, they were tested for compatibility with the above listed electronic ballasts. DO NOT INSTALL LAMPS WITH BALLASTS NOT ON THIS LIST UNTIL COMPATIBILITY IS CONFIRMED WITH OUR TECHNICAL TEAM. Some older ballast versions can cause over heating and damage to lamp and fixture. For Ballasts that do not appear on the list or in case of doubt about compatibility, please contact us at 1-877-255-0004.

*GREENLITE has provided this ballast compatibility chart for your guidance when selecting a ballast and lamp combination. Lamps were tested for compatibility with the above electronic ballasts. Ballasts that do not appear on the chart may still be compatible but have not been tested. Testing has been performed with a stable main supply. The quality of the main, existing installation and wiring, as well as different manufacturer versions of the above ballasts may affect lamp performance. Since no assurance can be provided regarding these factors, it is recommended that you to perform an on-site test prior to installing the LED lamps. Warranty will not be applicable if product is not used as per the GREENLITE Compatible Ballast List.